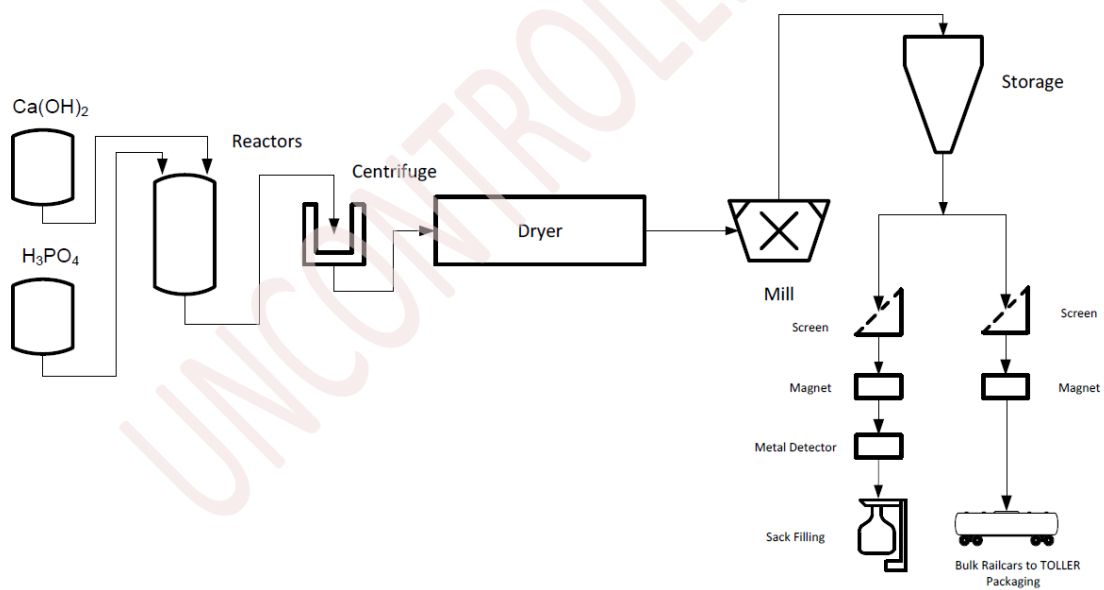


Manufacturing Process Flowchart Anhydrous Dibasic Calcium Phosphate, Powder, USP (Cat# C1890)



CORPORATE HEADQUARTERS

769 Jersey Avenue

New Brunswick, NJ 08901

PHONE 732.214.1300

FAX 732.246.7132

WEST COAST FACILITY

14422 South San Pedro Street

Gardena, California 90248

PHONE 310.516.8000

FAX 310.516.9843